



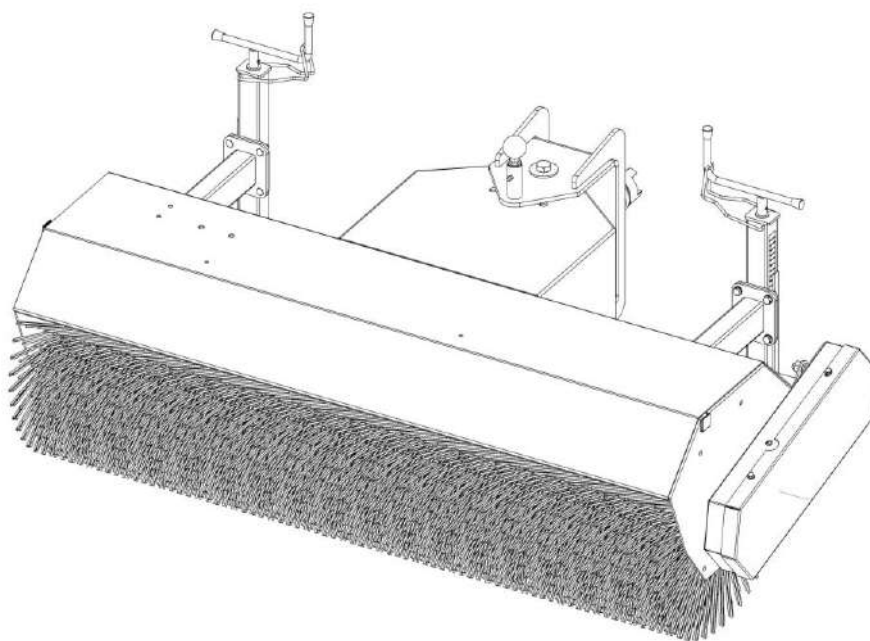
spare parts list

front sweeper

EFKM 11545 M...

EFKM 13045 M...

EFKM 15045 M...



Order number: E00083

from machine number: 57791

Rev.R00

as of June 2016

KERSTEN
Arealmaschinen GmbH
Empeler Straße 95
D - 46459 Rees
www.kersten-maschinen.de

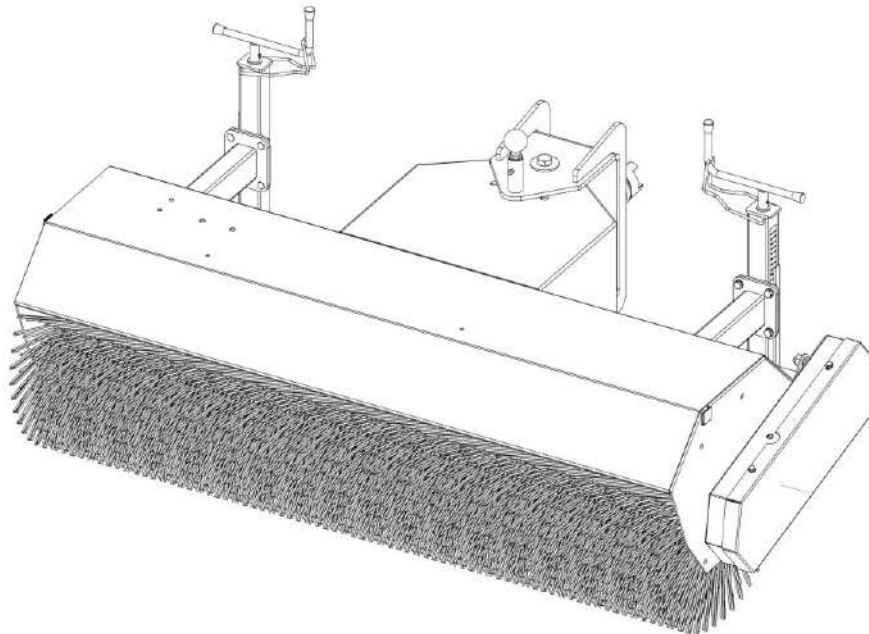
Communication Spare Parts:
Tel.: +49 (0) 2851 / 9234 19 Fax:
+49 (0) 2851 / 9234 24

Table of contents

Spare parts list.....	1
1 Model overview	4
1.1 Front sweeper	4
1.1.1 EFKM 11545 MU 70 - C05444 R00.....	4
1.1.2 EFKM 13045 MU 70 - C05445 R00.....	4
1.1.3 EFKM 15045 MU 70 - C05446 R00.....	4
1.1.4 EFKM 11545 M Reform - C05455 R00.....	5
1.1.5 EFKM 13045 M Reform - C05456 R00.....	5
1.1.6 EFKM 15045 M Reform - C05457 R00.....	5
2 Assembly overview	6
2.1 Basic mechanical drive unit.....	6
2.1.1 EFKM 11545 M... C05440 R00	7
2.1.2 EFKM 13045 M... C05423 R00	8
2.1.3 EFKM 15045 M... C05441 R00	9
2.2 Mechanical drive train	10
2.2.1 EFKM 11545 M... C05442 R00	11
2.2.2 EFKM 13045 M... C05422 R00	12
2.2.3 EFKM 15045 M... C05443 R00	13
2.3 Mounting frame for single-axle tractors - C05438 R00.....	14
2.4 Recording Reform - C05439 R00	15
2.5 Recording Kersten - C05453 R00	16
2.6 Gear ratio.....	17
2.6.1 Translation (14:14) Reform - C05449 R00.....	17
2.6.2 Translation (22:14) Kersten - C05451 R00	17
2.7 Parking support AST 45 LR - C00432 R00	18
2.8 Dirt collection container	19
2.8.1 Dirt collection container SSB 11545 K - C00452 R04	20
2.8.2 Dirt collection container SSB 13045 K - C00433 R04	21
2.8.3 Dirt collection container SSB 15045 K - C01061 R03	22
2.9 Rubber splash flaps.....	23
2.9.1 GUSPL 11545 - C00451 R02	23
2.9.2 GUSPL 13045 - C00434 R02	24
2.9.3 GUSPL 15045 - C01060 R02	24
2.10 Sweeping rollers: diameter 45 cm	25

1 model overview

1.1 Front sweeper



1.1.1 EFKM 11545 MU 70 - C05444 R00

No.	Art.-No.	No.	designation
1	C05440 R00	1	basic device for mechanical drive
2	C05442 R00	1	mechanical drivetrain
3	C05438 R00	1	mounting frame for single-axle tractors
4	C05453 R00	1	Recording Kersten
5	C05451 R00	1	Translation (22:14) Kersten

1.1.2 EFKM 13045 MU 70 - C05445 R00

No.	Art.-No.	No.	designation
1	C05423 R00	1	basic device for mechanical drive
2	C05422 R00	1	mechanical drivetrain
3	C05438 R00	1	mounting frame for single-axle tractors
4	C05453 R00	1	Recording Kersten
5	C05451 R00	1	Translation (22:14) Kersten

1.1.3 EFKM 15045 MU 70 - C05446 R00

No.	Art.-No.	No.	designation
1	C05441 R00	1	basic device for mechanical drive
2	C05443 R00	1	mechanical drivetrain
3	C05438 R00	1	mounting frame for single-axle tractors
4	C05453 R00	1	Recording Kersten
5	C05451 R00	1	Translation (22:14) Kersten

1.1.4 EFKM 11545 M Reform - C05455 R00

No.	Art.-No.	No.	designation
1	C05440 R00	1	basic device for mechanical drive
2	C05442 R00	1	mechanical drivetrain
3	C05438 R00	1	mounting frame for single-axle tractors
4	C05439 R00	1	recording reform
5	C05449 R00	1	Translation (14:14) Reform

1.1.5 EFKM 13045 M Reform - C05456 R00

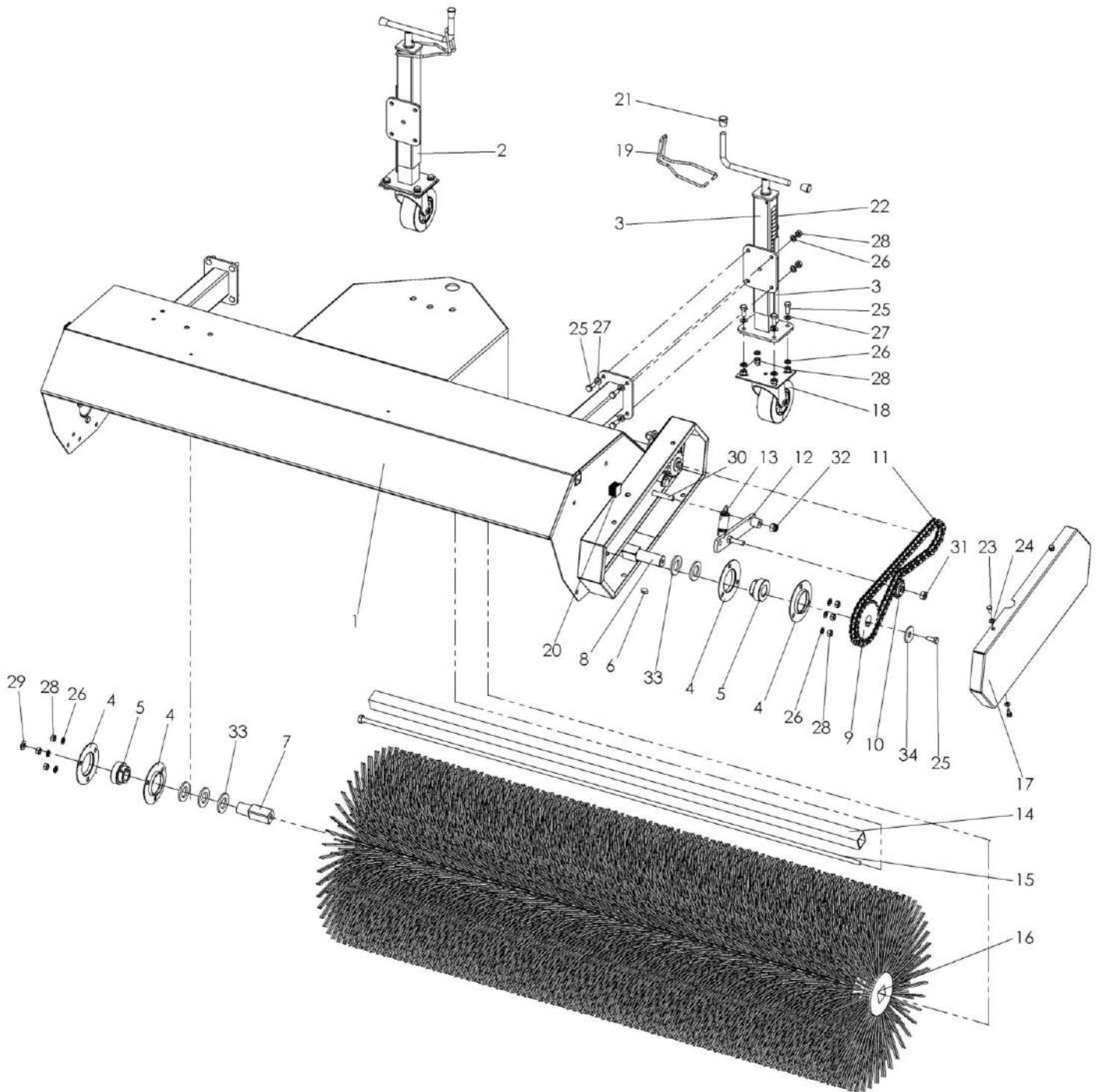
No.	Art.-No.	No.	designation
1	C05423 R00	1	basic device for mechanical drive
2	C05422 R00	1	mechanical drivetrain
3	C05438 R00	1	mounting frame for single-axle tractors
4	C05439 R00	1	recording reform
5	C05449 R00	1	Translation (14:14) Reform

1.1.6 EFKM 15045 M Reform - C05457 R00

No.	Art.-No.	No.	designation
1	C05441 R00	1	basic device for mechanical drive
2	C05443 R00	1	mechanical drivetrain
3	C05438 R00	1	mounting frame for single-axle tractors
4	C05439 R00	1	recording reform
5	C05449 R00	1	Translation (14:14) Reform

2 assembly overview

2.1 Basic mechanical drive unit



2.1.1 EFKM 11545 M... C05440 R00

No.	Art.-No.	No.	base housing
1	C05447	1	base housing
2	C00205	1	parking support, right
3	C02746	1	support, left
4	924 200 205	<small>2nd sentence</small>	bearing shell
5	924 100 205	2	ball bearings
6	908 108 715	1	key
7	100,000,430	1	drive stub right
8	100,000,425	1	drive stub left
9	see Kp. Translation	1	sprocket
10	920 603 010	1	tension wheel
11	see Kp. Translation	1	Chain
12	100,000,255	1	tension lever chain case
13	909 200 583	1	tension spring
14	C00314	1	drive axle
15	C02154	1	tension rod with nut
16	see Kp. Sweeping rollers	2	combination roller brush
17	130 000 165	1	transmission cover
18	926 302 135	2	wheel
19	942 003 002	2	retaining clip
20	943 125 252	2	protective cap
21	942 003 003	4	protective cap
22	700 000 151	2	sticker height scale
23	901 006 012	4	hexagon screw without shaft
24	905,106,000	4	U-disk
25	901 008 020	17	hexagon screw without shaft
26	905 008 000	22	spring ring
27	905,108,000	16	U-disk
28	900 008 001	22	Skt.-Mutter
29	905,110,000	1	U-disk
30	901 110 055	1	hexagon screw with shaft
31	900 010 001	1	Skt.-Mutter
32	900 010 002	1	lock nut
33	905,125,000	5	U-disk
34	905 212 001	1	K-disk

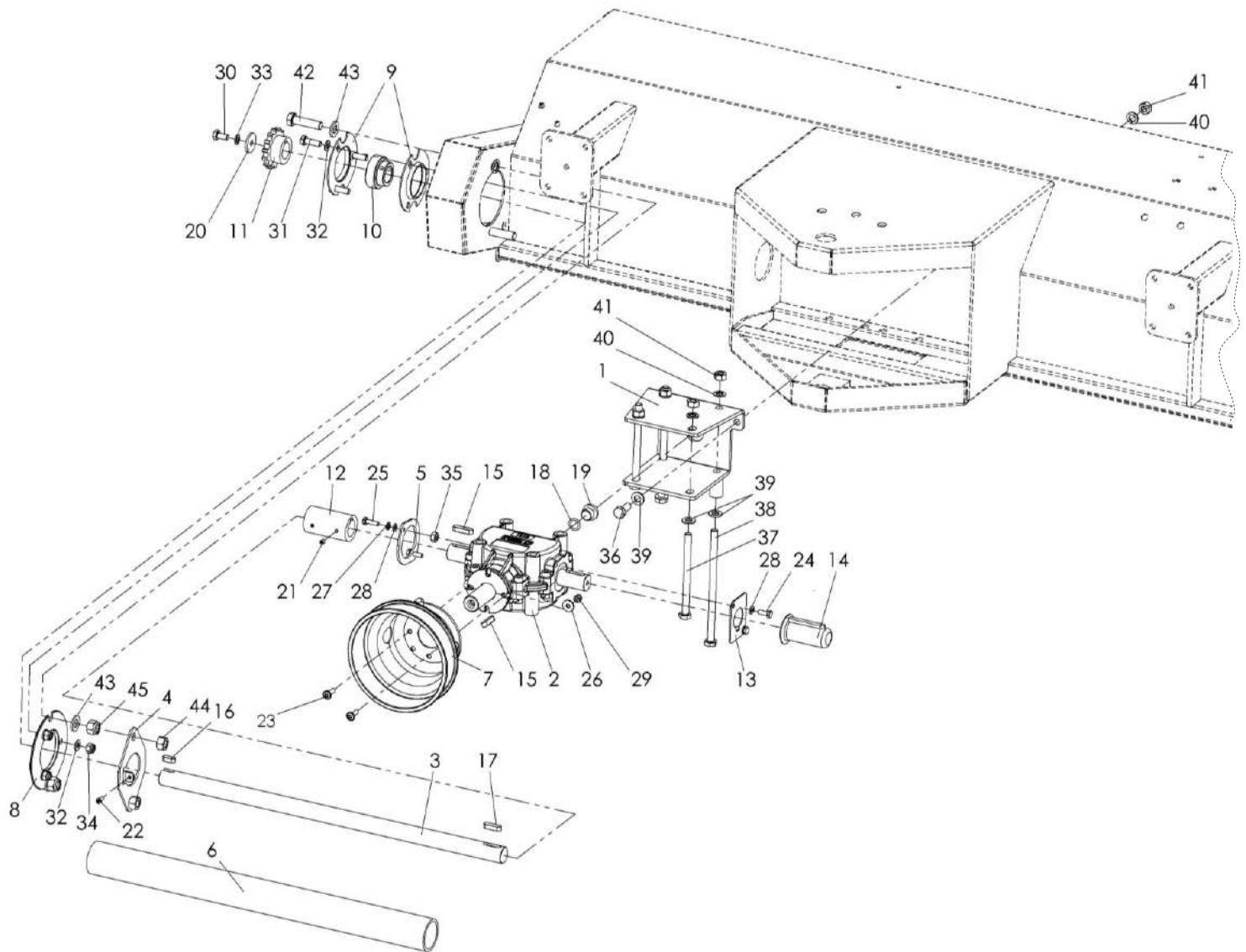
2.1.2 EFKM 13045 M... C05423 R00

No.	Art.-No.	No.	designation
1	C05024	1	base housing
2	C00205	1	parking support, right
3	C02746	1	support, left
4	924 200 205	<small>2nd sentence</small>	bearing shell
5	924 100 205	2	ball bearings
6	908 108 715	1	key
7	100,000,430	1	drive stub right
8	100,000,425	1	drive stub left
9	see Kp. Translation	1	sprocket
10	920 603 010	1	tension wheel
11	see Kp. Translation	1	Chain
12	100,000,255	1	tension lever chain case
13	909 200 583	1	tension spring
14	041 000 438	1	drive axle
15	041 000 436	1	tension rod with nut
16	see Kp. Sweeping rollers	2	combination roller brush
17	130 000 165	1	transmission cover
18	926 302 135	2	wheel
19	942 003 002	2	retaining clip
20	943 125 252	2	protective cap
21	942 003 003	4	protective cap
22	700 000 151	2	sticker height scale
23	901 006 012	4	hexagon screw without shaft
24	905,106,000	4	U-disk
25	901 008 020	17	hexagon screw without shaft
26	905 008 000	22	spring ring
27	905,108,000	16	U-disk
28	900 008 001	22	Skt.-Mutter
29	905,110,000	1	U-disk
30	901 110 055	1	hexagon screw with shaft
31	900 010 001	1	Skt.-Mutter
32	900 010 002	1	lock nut
33	905,125,000	5	U-disk
34	905 212 001	1	K-disk

2.1.3 EFKM 15045 M... C05441 R00

No.	Art.-No.	No.	designation
1	C05448	1	base housing
2	C00205	1	parking support, right
3	C02746	1	support, left
4	924 200 205	2nd sentence	bearing shell
5	924 100 205	2	ball bearings
6	908 108 715	1	key
7	100,000,430	1	drive stub right
8	100,000,425	1	drive stub left
9	see Kp. Translation	1	sprocket
10	920 603 010	1	tension wheel
11	see Kp. Translation	1	Chain
12	100,000,255	1	tension lever chain case
13	909 200 583	1	tension spring
14	150,000,026	1	drive axle
15	150,000,027	1	tension rod with nut
16	see Kp. Sweeping rollers	2	combination roller brush
17	130 000 165	1	transmission cover
18	926 302 135	2	wheel
19	942 003 002	2	retaining clip
20	943 125 252	2	protective cap
21	942 003 003	4	protective cap
22	700 000 151	2	sticker height scale
23	901 006 012	4	hexagon screw without shaft
24	905,106,000	4	U-disk
25	901 008 020	17	hexagon screw without shaft
26	905 008 000	22	spring ring
27	905,108,000	16	U-disk
28	900 008 001	22	Skt.-Mutter
29	905,110,000	1	U-disk
30	901 110 055	1	hexagon screw with shaft
31	900 010 001	1	Skt.-Mutter
32	900 010 002	1	lock nut
33	905,125,000	5	U-disk
34	905 212 001	1	K-disk

2.2 Mechanical drive train



2.2.1 EFKM 11545 M... C05442 R00

No.	Art.-No.	No.	designation
1	050 438 120	1	gearbox mount
2	922,101,000	1	bevel gear
3	C05405	1	intermediate shaft
4	C04708	1	holder for drive shaft protection
5	C05374	1	Holder 2 Drive Shaft Protection
6	C05401	1	drive shaft protection KM 11545 M
7	923 003 001	1	protective cover on the gearbox
8	050 438 150	1	adapter flange
9	C01048	2	bearing shells with recess
10	924 100 205	1	ball bearings
11	see Kp. Translation	1	sprocket Z14
12	C04790	1	connecting sleeve
13	C02219	1	cover plate
14	943 400 038	1	cover cap
15	908 008 730	2	key
16	908 008 720	1	key
17	908 008 730	1	key
18	937 120 025	1	sealing ring
19	931 000 031	1	oil filler plug
20	705 300 803	1	disc
21	902 306 008	2	grub screw
22	904 048 016	1	self-tapping screw
23	903 906 020	2	Lens head screw with hexagon socket
24	901 006 016	2	hexagon screw without shaft
25	901 006 020	2	hexagon screw without shaft
26	905 206 025	2	K-disk
27	905,006,000	2	spring ring
28	905,106,000	4	U-disk
29	900 006 002	2	lock nut
30	901 008 016	1	hexagon screw without shaft
31	901 008 025	3	hexagon screw without shaft
32	905,108,000	6	U-disk
33	905 008 000	1	spring ring
34	900 008 002	3	lock nut
35	900 008 001	2	Skt.-Mutter
36	901 010 025	2	hexagon screw without shaft
37	901 110 130	2	hexagon screw with shaft
38	901 110 180	2	hexagon screw with shaft
39	905,110,000	6	U-disk
40	905,010,000	6	spring ring
41	900 010 001	6	Skt.-Mutter
42	901 012 045	2	hexagon screw without shaft
43	905,112,000	4	U-disk
44	900 012 001	2	Skt.-Mutter
45	900 012 002	2	lock nut
46	905 012 000	1	spring ring

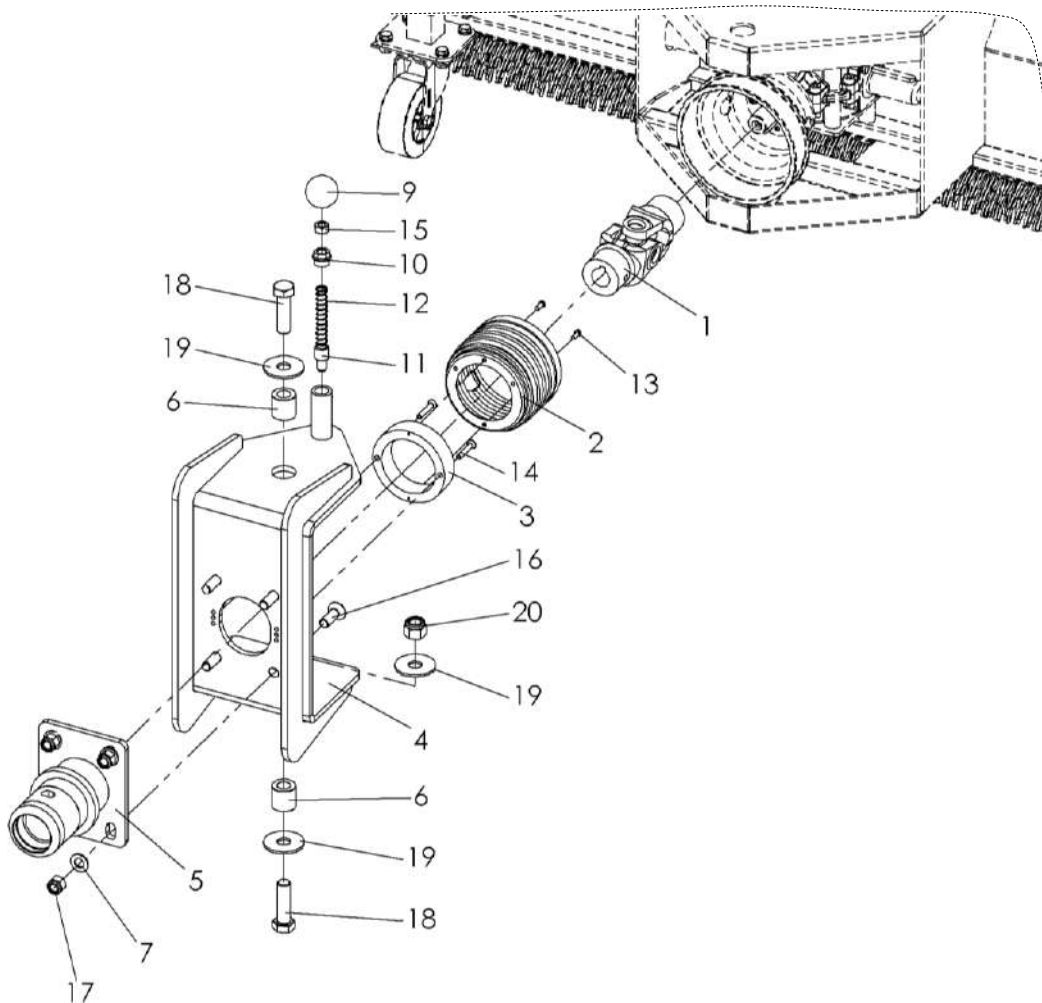
2.2.2 EFKM 13045 M... C05422 R00

No.	Art.-No.	No.	designation
1	050 438 120	1	gearbox mount
2	922,101,000	1	bevel gear
3	C05406	1	intermediate shaft
4	C04708	1	holder for drive shaft protection
5	C05374	1	Holder 2 Drive Shaft Protection
6	C05402	1	drive shaft protection KM 13045 M
7	923 003 001	1	protective cover on the gearbox
8	050 438 150	1	adapter flange
9	C01048	2	bearing shells with recess
10	924 100 205	1	ball bearings
11	see Kp. Translation	1	sprocket Z14
12	C04790	1	connecting sleeve
13	C02219	1	cover plate
14	943 400 038	1	cover cap
15	908 008 730	2	key
16	908 008 720	1	key
17	908 008 730	1	key
18	937 120 025	1	sealing ring
19	931 000 031	1	oil filler plug
20	705 300 803	1	disc
21	902 306 008	2	grub screw
22	904 048 016	1	self-tapping screw
23	903 906 020	2	Lens head screw with hexagon socket
24	901 006 016	2	hexagon screw without shaft
25	901 006 020	2	hexagon screw without shaft
26	905 206 025	2	K-disk
27	905,006,000	2	spring ring
28	905,106,000	4	U-disk
29	900 006 002	2	lock nut
30	901 008 016	1	hexagon screw without shaft
31	901 008 025	3	hexagon screw without shaft
32	905,108,000	6	U-disk
33	905 008 000	1	spring ring
34	900 008 002	3	lock nut
35	900 008 001	2	Skt.-Mutter
36	901 010 025	2	hexagon screw without shaft
37	901 110 130	2	hexagon screw with shaft
38	901 110 180	2	hexagon screw with shaft
39	905,110,000	6	U-disk
40	905,010,000	6	spring ring
41	900 010 001	6	Skt.-Mutter
42	901 012 045	2	hexagon screw without shaft
43	905,112,000	4	U-disk
44	900 012 001	2	Skt.-Mutter
45	900 012 002	2	lock nut
46	905 012 000	1	spring ring

2.2.3 EFKM 15045 M... C05443 R00

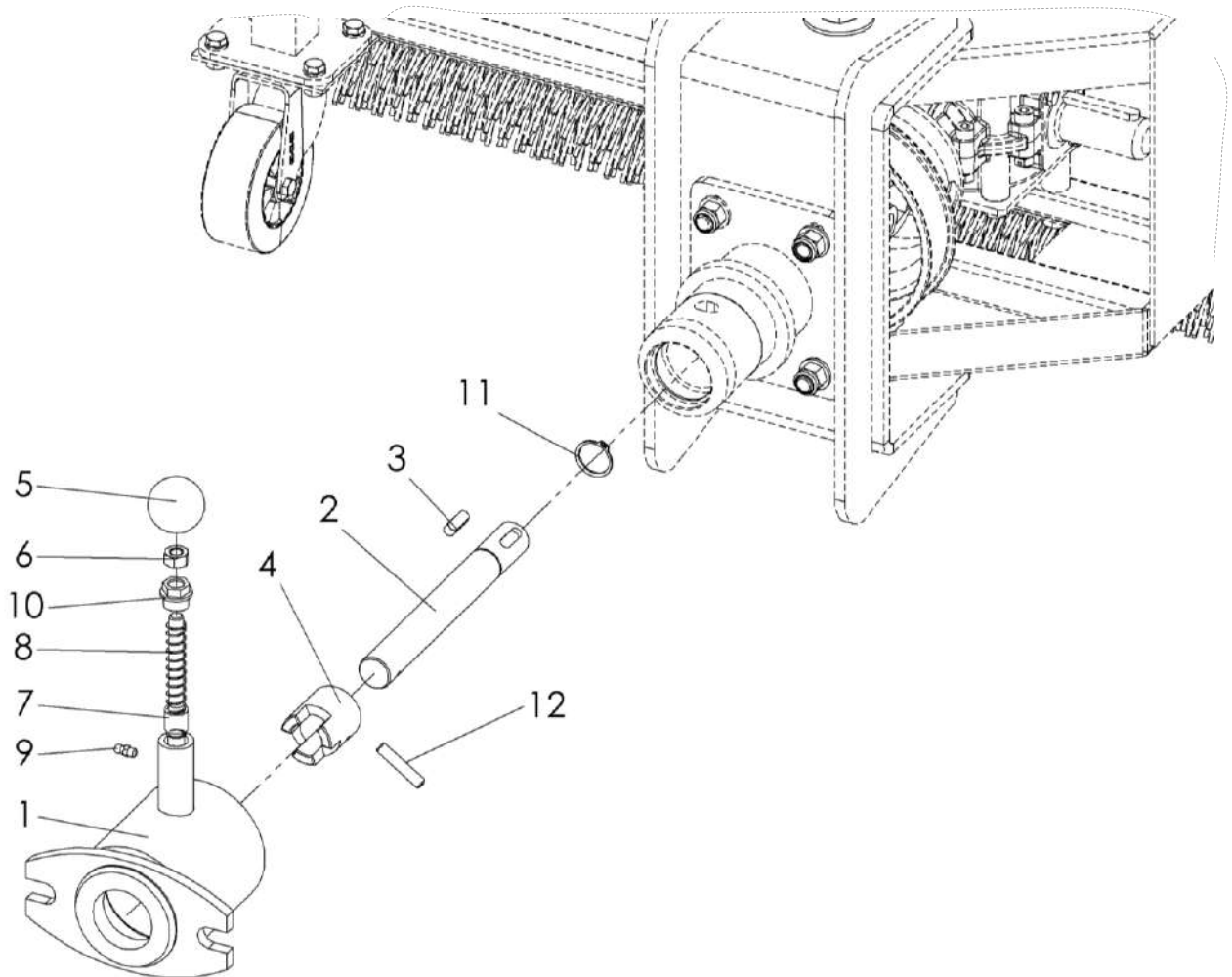
No.	Art.-No.	No.	designation
1	050 438 120	1	gearbox mount
2	922,101,000	1	bevel gear
3	C05407	1	intermediate shaft
4	C04708	1	holder for drive shaft protection
5	C05374	1	Holder 2 Drive Shaft Protection
6	C05403	1	drive shaft protection KM 15045 M
7	923 003 001	1	protective cover on the gearbox
8	050 438 150	1	adapter flange
9	C01048	2	bearing shells with recess
10	924 100 205	1	ball bearings
11	see Kp. Translation	1	sprocket Z14
12	C04790	1	connecting sleeve
13	C02219	1	cover plate
14	943 400 038	1	cover cap
15	908 008 730	2	key
16	908 008 720	1	key
17	908 008 730	1	key
18	937 120 025	1	sealing ring
19	931 000 031	1	oil filler plug
20	705 300 803	1	disc
21	902 306 008	2	grub screw
22	904 048 016	1	self-tapping screw
23	903 906 020	2	Lens head screw with hexagon socket
24	901 006 016	2	hexagon screw without shaft
25	901 006 020	2	hexagon screw without shaft
26	905 206 025	2	K-disk
27	905,006,000	2	spring ring
28	905,106,000	4	U-disk
29	900 006 002	2	lock nut
30	901 008 016	1	hexagon screw without shaft
31	901 008 025	3	hexagon screw without shaft
32	905,108,000	6	U-disk
33	905 008 000	1	spring ring
34	900 008 002	3	lock nut
35	900 008 001	2	Skt.-Mutter
36	901 010 025	2	hexagon screw without shaft
37	901 110 130	2	hexagon screw with shaft
38	901 110 180	2	hexagon screw with shaft
39	905,110,000	6	U-disk
40	905,010,000	6	spring ring
41	900 010 001	6	Skt.-Mutter
42	901 012 045	2	hexagon screw without shaft
43	905,112,000	4	U-disk
44	900 012 001	2	Skt.-Mutter
45	900 012 002	2	lock nut
46	905 012 000	1	spring ring

2.3 Mounting frame for single-axle tractors - C05438 R00



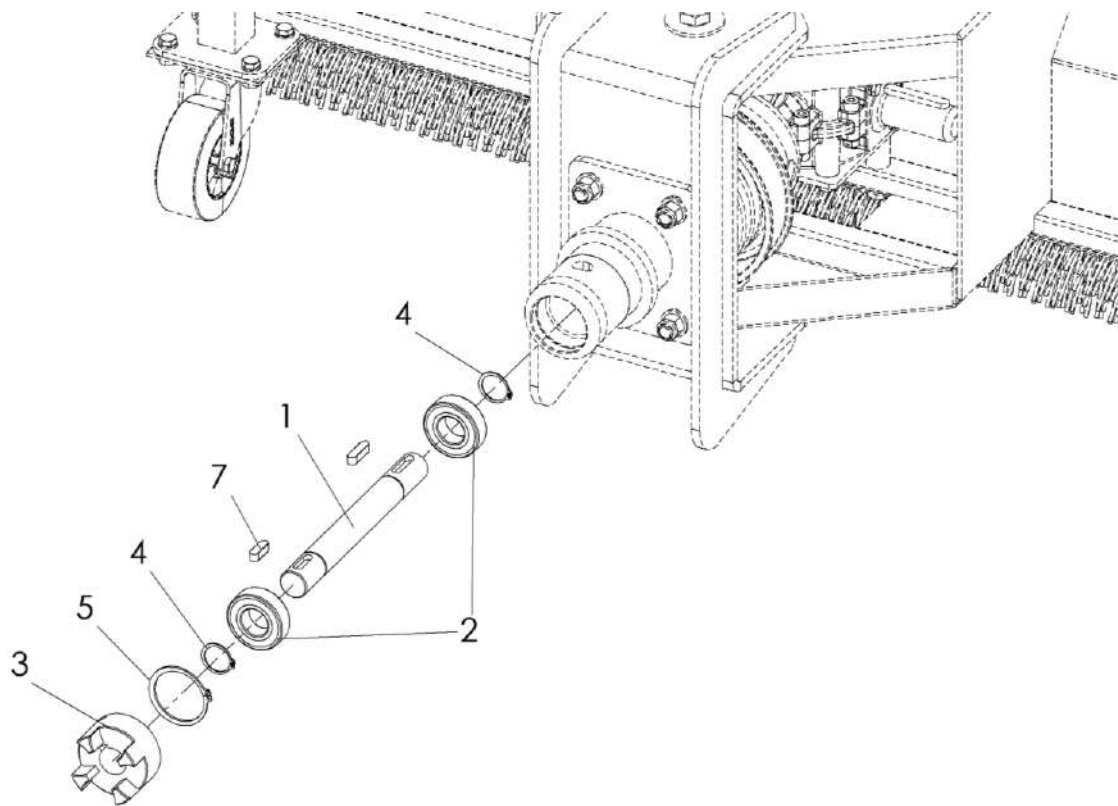
No.	Art.-No.	No.	designation
1	923 000 032	1	cardan shaft
2	923,241,000	1	protective sleeve
3	C05379	1	spacer ring
4	C05042	1	swivel bracket complete
5	C05080	1	flangeable mandrel complete
6	C04624	2	socket
7	905,112,000	4	U-disk
8	910,006,000	1	grease nipple
9	941 220 010	1	ball button
10	700 000 171	1	screw plug
11	700 001 170	1	locking pin
12	909 100 189	1	compression spring
13	904 048 016	2	self-tapping screw
14	901 206 035	2	Countersunk head screw with hexagon socket
15	900 010 001	1	Skt.-Mutter
16	901 212 035	4	Countersunk head screw with hexagon socket
17	900 012 002	4	lock nut
18	901 016 055	2	hexagon screw without shaft
19	905,217,000	4	K-disk
20	900 016 002	2	lock nut

2.4 Recording Reform - C05439 R00



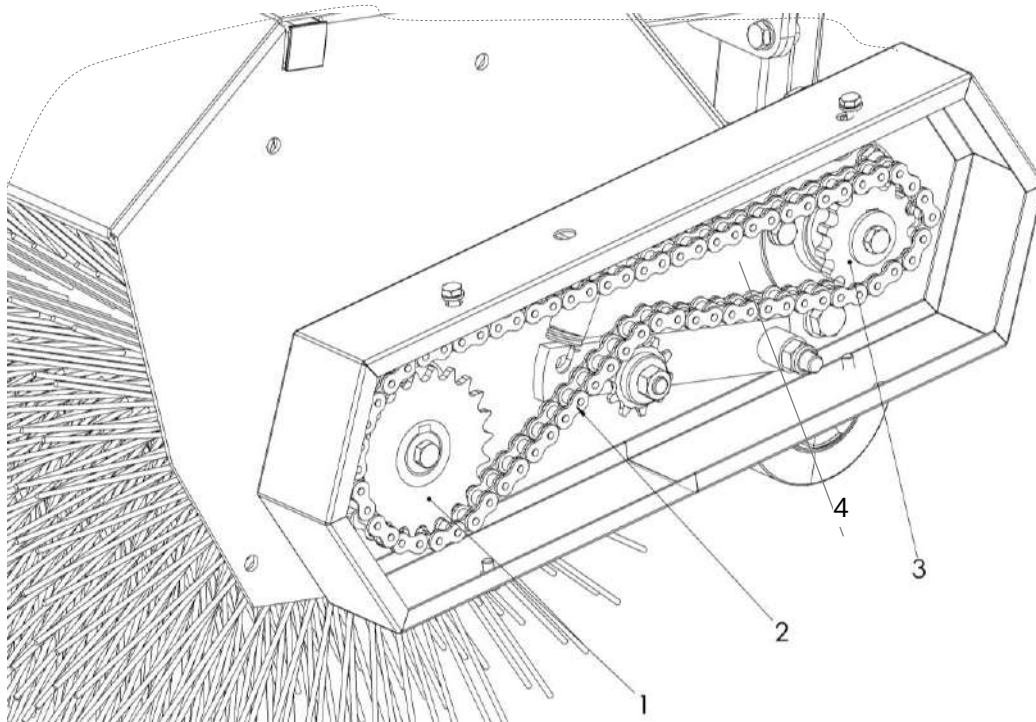
No.	Art.-No.	No.	designation
1	C04655	1	mounting adapter
2	C04657	1	drive shaft
3	908 008 725	1	key
4	C04656	1	claw coupling
5	941 220 010	1	ball button
6	900 010 001	1	Skt.-Mutter
7	700 001 170	1	locking pin
8	909 100 189	1	compression spring
9	910,006,000	1	grease nipple
10	700 000 171	1	screw plug
11	905,925,000	1	retaining ring outside
12	907 308 040	1	roll pin

2.5 Recording Kersten - C05453 R00



No.	Art.-No.	No.	designation
1	C00380	1	drive shaft
2	924 106 205	2	ball bearings
3	925 301 025	1	clutch claw
4	905,925,000	2	retaining ring outside
5	905,950,000	1	circlip outside
6	908 008 730	1	key
7	908 008 725	1	key

2.6 Gear ratio



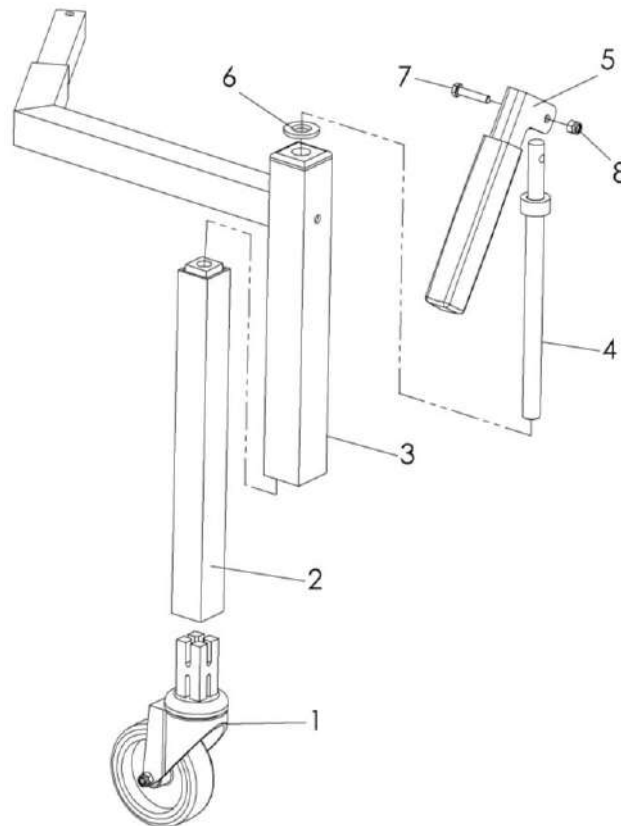
2.6.1 Translation (14:14) Reform - C05449 R00

No.	Art.-No.	number.	designation
1	920 401 214	1	sprocket Z14
2	920 100 800	1	drive chain
3	920 401 214	1	sprocket Z14
4	920,301,000	1	chain lock

2.6.2 Translation (22:14) Kersten - C05451 R00

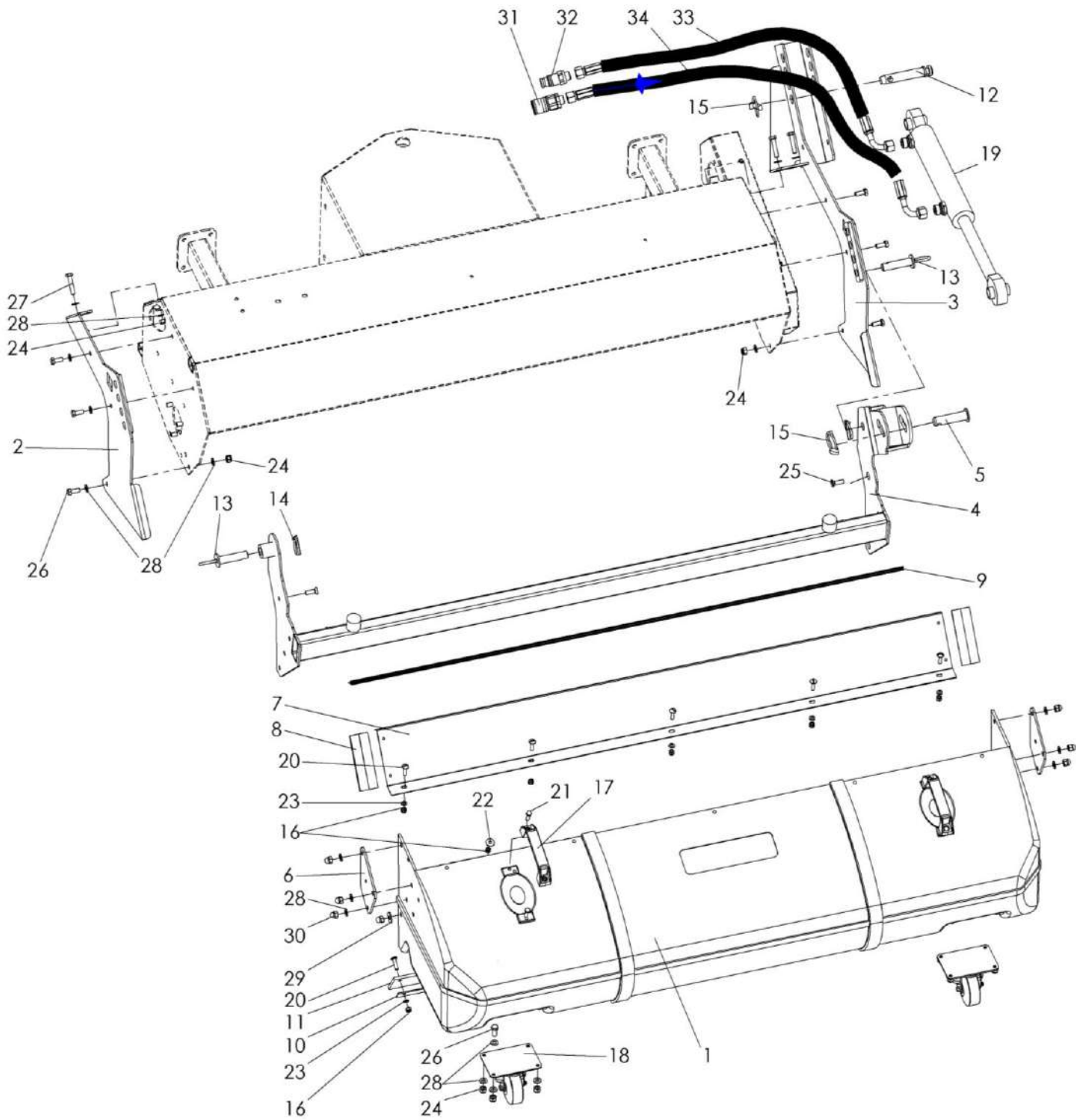
No.	Art.-No.	No.	designation
1	920 401 322	1	sprocket Z22
2	920 100 880	1	drive chain
3	920 401 214	1	sprocket Z14
4	920,301,000	1	chain lock

2.7 Parking support AST 45 LR - C00432 R00



No.	Art.-No.	No.	designation
1	926 301 075	2	support wheel with expander
2	135,000,443	2	inner tube support
3	135,000,445	1	parking support on the right
3a	135,000,446	1	support leg on the left
4	100,000,490	2	spindle
5	700 000 085	2	hand lever
6	905,112,000	2	U-disk
7	901 005 020	2	hexagon screw without shaft
8	900 005 002	2	lock nut

2.8 Dirt collection container



2.8.1 Dirt collection container SSB 11545 K - C00452 R04

No.	Art.-No.	No.	designation
1	C02587	1	dirt collection container
2	C02523	1	mounting bracket right
3	C02522	1	mounting bracket on the left
4	C02532	1	attachment carrier
5	700 073 019	1	bolt
6	050 438 450	2	reinforcement plate
7	C02552	1	Z-profile
8	C02577	2	broom rail
9	C00444	1	rubber strip
10	C00456	1	counter bar
11	C00455	1	rubber splash flaps
12	907 400 073	1	upper link pin
13	C00171	2	bolt with ring
14	907,106,000	2	linch pin
15	907,111,000	2	linch pin
16	900 006 002	16	lock nut
17	941 310 005	2	handle
18	926 301 076	2	wheel
19	933 101 180	1	hydraulic cylinders
20	903 606 025	12	slotted truss head screw
21	901 006 025	4	hexagon screw without shaft
22	905 206 025	4	K-disk
23	905,106,000	12	U-disk
24	900 008 002	17	lock nut
25	901 208 025	8	countersunk screw
26	901 008 020	14	hexagon screw without shaft
27	901 008 040	3	hexagon screw without shaft
28	905,108,000	40	U-disk
29	905 208 025	2	K-disk
30	900 008 023	8	cap nut, high
31	932 ...	1	Plug/socket depending on tractor
32	932 ...	1	Plug/socket depending on tractor
33	930 ...	1	hydraulic hose depending on the tractor
34	930 ...	1	hydraulic hose depending on the tractor
	930 449 ...	2	hydraulic hose depending on the tractor

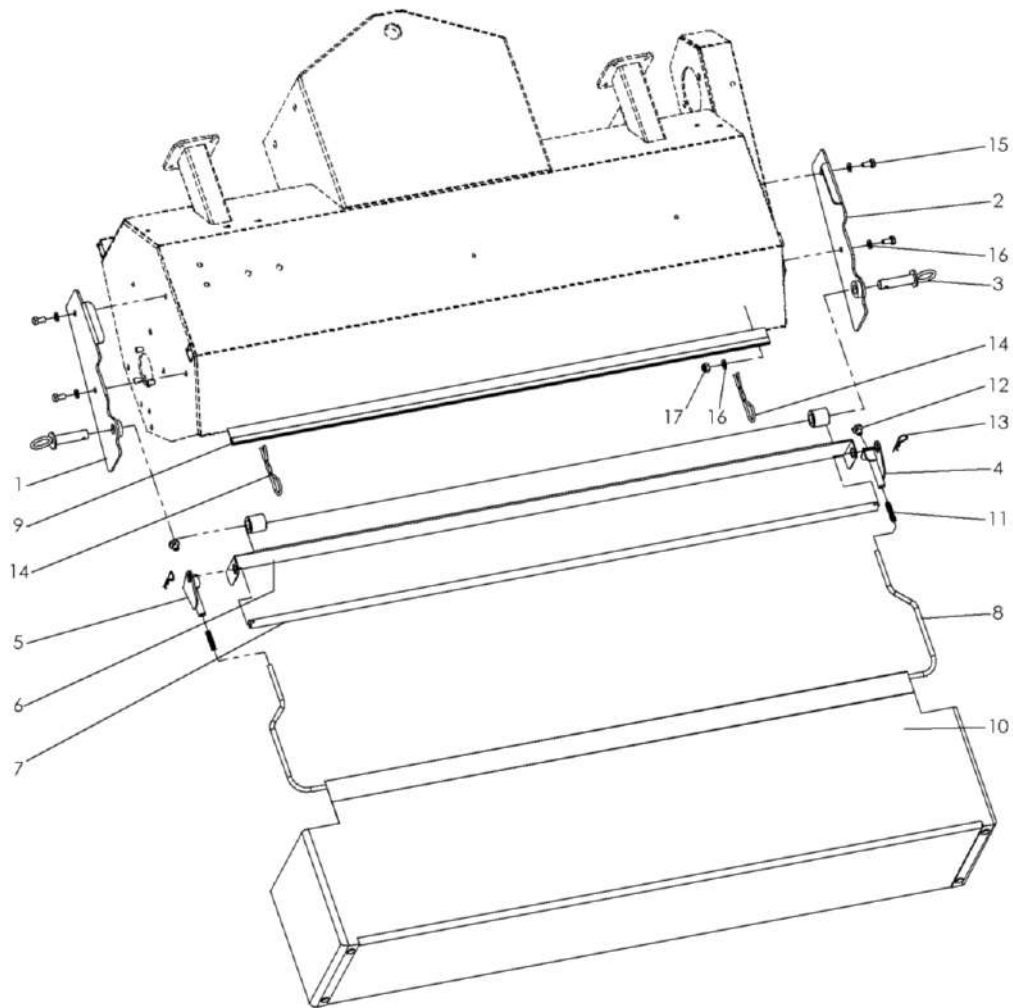
2.8.2 Dirt collection container SSB 13045 K - C00433 R04

No.	Art.-No.	No.	designation
1	C02505	1	dirt collection container
2	C02523	1	mounting bracket right
3	C02522	1	mounting bracket on the left
4	C01960	1	attachment carrier
5	700 073 019	1	bolt
6	050 438 450	2	reinforcement plate
7	C01945	1	Z-profile
8	C02577	2	broom rail
9	C02594	1	rubber strip
10	050 438 114	1	counter bar
11	135,000,650	1	rubber splash flaps
12	907 400 073	1	upper link pin
13	C00171	2	bolt with ring
14	907,106,000	2	linch pin
15	907,111,000	2	linch pin
16	900 006 002	16	lock nut
17	941 310 005	2	handle
18	926 301 076	2	wheel
19	933 101 180	1	hydraulic cylinders
20	903 606 025	12	slotted truss head screw
21	901 006 025	4	hexagon screw without shaft
22	905 206 025	4	K-disk
23	905,106,000	12	U-disk
24	900 008 002	17	lock nut
25	901 208 025	8	countersunk screw
26	901 008 020	14	hexagon screw without shaft
27	901 008 040	3	hexagon screw without shaft
28	905,108,000	40	U-disk
29	905 208 025	2	K-disk
30	900 008 023	8	cap nut, high
31	932 ...	1	Plug/socket depending on tractor
32	932 ...	1	Plug/socket depending on tractor
33	930 ...	1	hydraulic hose depending on the tractor
34	930 ...	1	hydraulic hose depending on the tractor
	930 449 ...	2	hydraulic hose depending on the tractor

2.8.3 Dirt collection container SSB 15045 K - C01061 R03

No.	Art.-No.	No.	designation
1	150 102 625	1	dirt collection container
2	C02523	1	mounting bracket right
3	C02522	1	mounting bracket on the left
4	C04779	1	attachment carrier
5	700 073 019	1	bolt
6	050 438 450	2	reinforcement plate
7	C04865	1	Z-profile
8	C02577	2	broom rail
9	C01063	1	rubber strip
10	C04867	1	counter bar
11	712 150 091	1	rubber splash flaps
12	907 400 073	1	upper link pin
13	C00171	2	bolt with ring
14	907,106,000	2	linch pin
15	907,111,000	2	linch pin
16	900 006 002	16	lock nut
17	941 310 005	2	handle
18	926 301 076	2	wheel
19	933 101 180	1	hydraulic cylinders
20	903 606 025	12	slotted truss head screw
21	901 006 025	4	hexagon screw without shaft
22	905 206 025	4	K-disk
23	905,106,000	12	U-disk
24	900 008 002	17	lock nut
25	901 208 025	8	countersunk screw
26	901 008 020	14	hexagon screw without shaft
27	901 008 040	3	hexagon screw without shaft
28	905,108,000	40	U-disk
29	905 208 025	2	K-disk
30	900 008 023	8	cap nut, high
31	932 ...	1	Plug/socket depending on tractor
32	932 ...	1	Plug/socket depending on tractor
33	930 ...	1	hydraulic hose depending on the tractor
34	930 ...	1	hydraulic hose depending on the tractor
	930 449 ...	2	hydraulic hose depending on the tractor

2.9 Rubber splash flaps



2.9.1 GUSPL 11545 - C00451 R02

No.	Art.-No.	No.	designation
1	C02821	1	mounting plate right
2	C02820	1	mounting plate on the left
3	C00171	2	bolt with ring
4	712 000 131	1	connecting plate, left
5	712 000 130	1	connecting plate, right
6	C02817	1	support rail
7	C00446	1	hanging rod
8	C00448	1	carrying handle
9	C00444	1	rubber strip
10	C00449	1	mud flaps with snap fastener
11	909 100 207	2	compression spring
12	934 700 910	2	plug-in buffer
13	907 002 003	2	spring pin
14	907 004 001	2	spring pin
15	901 008 016	4	hexagon screw without shaft
16	905,108,000	8	U-disk
17	900 008 002	4	lock nut

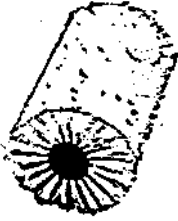
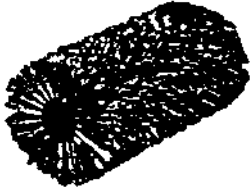


2.9.2 GUSPL 13045 - C00434 R02

No.	Art.-No.	No.	designation
1	C02821	1	mounting plate right
2	C02820	1	mounting plate on the left
3	C00171	2	bolt with ring
4	712 000 131	1	connecting plate, left
5	712 000 130	1	connecting plate, right
6	C02818	1	support rail
7	712 130 216	1	hanging rod
8	712 130 095	1	carrying handle
9	712 135 111	1	rubber strip
10	135,000,094	1	mud flaps with snap fastener
11	909 100 207	2	compression spring
12	934 700 910	2	plug-in buffer
13	907 002 003	2	spring pin
14	907 004 001	2	spring pin
15	901 008 016	4	hexagon screw without shaft
16	905,108,000	8	U-disk
17	900 008 002	4	lock nut

2.9.3 GUSPL 15045 - C01060 R02

No.	Art.-No.	No.	designation
1	C02821	1	mounting plate right
2	C02820	1	mounting plate on the left
3	C00171	2	bolt with ring
4	712 000 131	1	connecting plate, left
5	712 000 130	1	connecting plate, right
6	C02819	1	support rail
7	712 150 216	1	hanging rod
8	712 150 095	1	carrying handle
9	712 155 111	1	rubber strip
10	712 167 094	1	mud flaps with snap fastener
11	909 100 207	2	compression spring
12	934 700 910	2	plug-in buffer
13	907 002 003	2	spring pin
14	907 004 001	2	spring pin
15	901 008 016	4	hexagon screw without shaft
16	905,108,000	8	U-disk
17	900 008 002	4	lock nut

2.10 Sweeping rollers: diameter 45 cm

	EFKM 11545 115 cm working width	EFKM 13045 130 cm working width	EFKM 15045 150 cm working width
Dirt sweeper with Poly-Voll -stocking 	115 516 045	130 516 045	150 516 045
dirt sweeper poly-corrugated wire-stocking 	115 516 545	130 516 545	150 516 545
combination roller brush with 5-row poly-swirl stocking 	115 510 045	130 510 045	150 510 045
snow sweeper with 4-row poly-Dra 	115 508 045	130 508 045	150 508 045